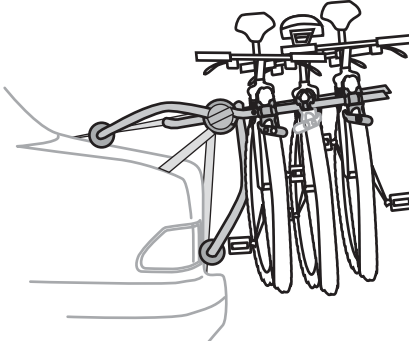


HangOut 2
Maximum load is 2 bikes
(60 lbs./27kg total)
30 lbs. per bike



HangOut 3
Maximum load is 3 bikes
(90 lbs./41kg total)
30 lbs. per bike



BEFORE DRIVING AWAY:

Read cautions and warnings at end of instructions.

PURCHASE SEPARATELY:

TubeTop™

Required for bikes with step-through/Ladies frames or bikes with slanted top tubes.
Part #8002531



IMPORTANT WARNING

IT IS CRITICAL THAT ALL YAKIMA RACKS AND ACCESSORIES BE PROPERLY AND SECURELY ATTACHED TO YOUR VEHICLE. IMPROPER ATTACHMENT COULD RESULT IN AN AUTOMOBILE ACCIDENT, AND COULD CAUSE SERIOUS BODILY INJURY OR DEATH TO YOU OR TO OTHERS. YOU ARE RESPONSIBLE FOR SECURING THE RACKS AND ACCESSORIES TO YOUR CAR, CHECKING THE ATTACHMENTS PRIOR TO USE, AND PERIODICALLY INSPECTING THE PRODUCTS FOR ADJUSTMENT, WEAR, AND DAMAGE. THEREFORE, YOU MUST READ AND UNDERSTAND ALL OF THE INSTRUCTIONS AND CAUTIONS SUPPLIED WITH YOUR YAKIMA PRODUCT PRIOR TO INSTALLATION OR USE. IF YOU DO NOT UNDERSTAND ALL OF THE INSTRUCTIONS AND CAUTIONS, OR IF YOU HAVE NO MECHANICAL EXPERIENCE AND ARE NOT THOROUGHLY FAMILIAR WITH THE INSTALLATION PROCEDURES, YOU SHOULD HAVE THE PRODUCT INSTALLED BY A PROFESSIONAL INSTALLER SUCH AS A QUALIFIED YAKIMA DEALER.

FITTING YOUR CAR...



When you see this icon, find your vehicle at fitlookup.yakima.com, or on the Yakima Fit List for frame measurement, strap positions, and critical notes about your fit.



DANGER
DO NOT INSTALL THIS CARRIER ON A VEHICLE LISTED AS "NO FIT".

OR



IF YOUR CAR IS NOT LISTED at www.fitlookup.yakima.com, or on the Yakima Fit List, call 888-925-4621 in the USA and Canada, or see your dealer.

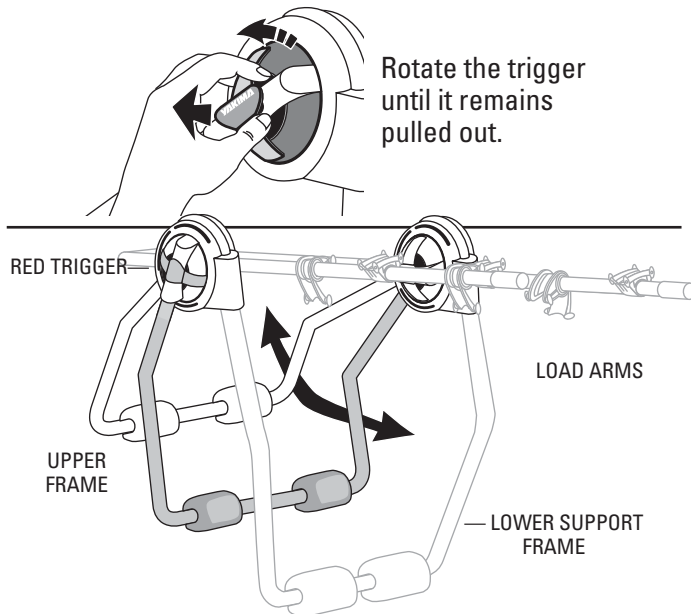
UNLISTED VEHICLES:

IF YOUR CAR CANNOT BE FOUND at www.fitlookup.yakima.com, or on the Yakima Fit List, or through the dealer or Yakima) it is "unlisted". Install the carrier as directed in these instructions where this icon appears.

CAUTION: Although your carrier is covered by a warranty (see final page), Yakima cannot warranty any installation onto any vehicle that is not listed in the Yakima Fit List or fitlookup.yakima.com.

1 ROTATE THE UPPER FRAME AWAY FROM THE LOWER FRAME.

To move the frames, pull and turn both red triggers on the outer hubs.

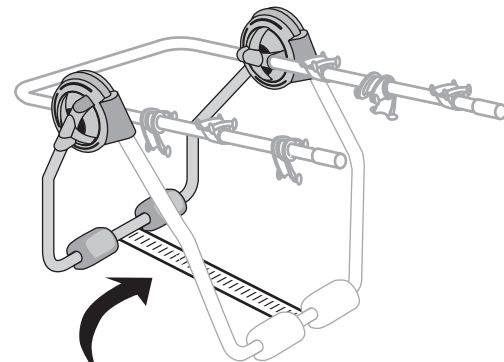


2 POSITION THE FRAMES.



FIND YOUR MEASUREMENT IN THE FIT SHEET.

See FITTING YOUR CAR (above).



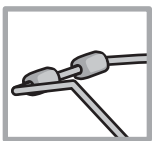
- You will need a measuring tape.
- On a flat surface, move the frames apart.
- With the pads flat, measure from the inside edges of the tubes.

2a



UNLISTED VEHICLES:

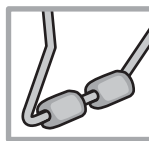
POSITION THE FRAMES. On a flat surface, move the frames apart. Follow these guidelines to position your frames on your car.



UPPER FRAME

- With triggers out, adjust upper frame until it rests on the vehicle.
- The position is relative to the lower frame and will depend on vehicle shape.

CAUTION: Some vehicles have a spoiler. If any part of the carrier contacts the spoiler, do not use this product.



LOWER FRAME

- A common location is a well-supported license plate, just above or below the numbers.
- Press the area firmly with your hand. If deformation occurs, choose another location.

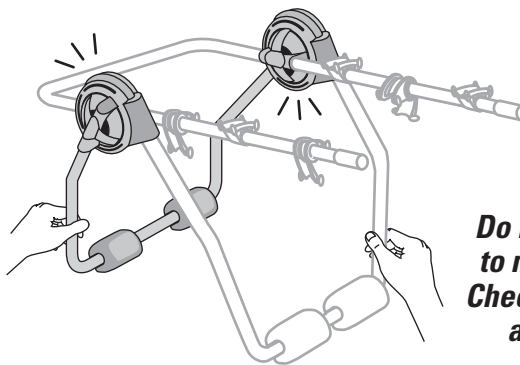
CAUTIONS:

- Do not place the lower frame on glass, plastic, or thin metal.
- Some vehicles have a large section of poorly supported metal that will dent under weight.

3 SECURE THE FRAME POSITION.

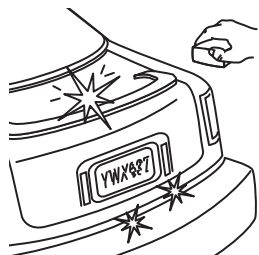


- Turn and push the red triggers until they are seated in the hub.
- Move the frames apart very slightly until the red triggers snap.
- If the frame feels loose, pull out the red triggers and try again.



Do not allow the frames to move out of position. Check your measurement again if necessary.

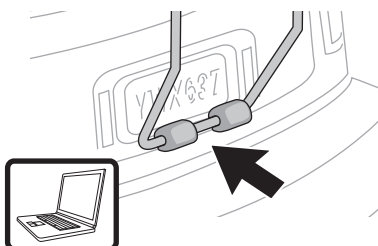
4 CARRIER IS READY TO PLACE ON CAR.



Clean the contact points on the vehicle, and keep the pads free of debris.

5 LOWER FRAME.

Lower support frame location is extremely important to the load!



Read and follow the notes for your vehicle.



UNLISTED VEHICLES:

- A common location is a well-supported license plate depression, just above or below the numbers.

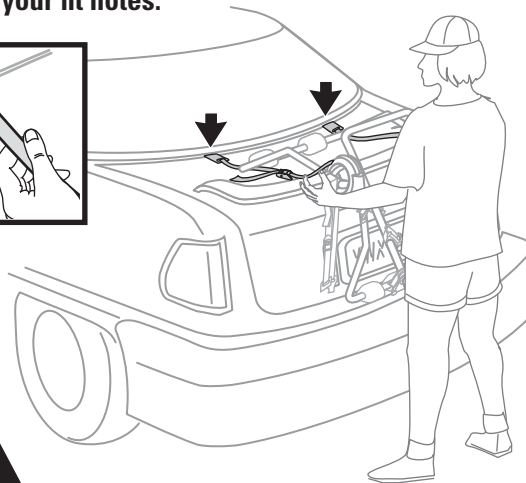
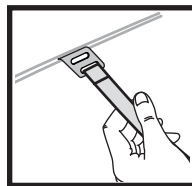
CAUTIONS:

- Do not place the lower frame on glass, plastic, or thin metal.
- Some vehicles have a large section of poorly supported metal that will dent under weight.

6 POSITION UPPER HOOKS.



Place where directed by fitlookup.
yakima.com, or your fit notes.



Refer to notes for your vehicle to see if you should use the Glass Hatch Hooks or anchor strap.



UNLISTED VEHICLES:

UPPER HOOKS

- Insert the upper hooks into the leading edge of the hatch or trunk.

CAUTIONS:

- If the leading edge of the hatch or trunk has trim, you must use the Anchor Strap configuration.
- Remove hooks before opening the hatch or trunk. Opening the hatch or trunk with hooks installed could cause damage to the vehicle.



WARNING: DO NOT ATTACH THE UPPER HOOKS TO GLASS OR PLASTIC!

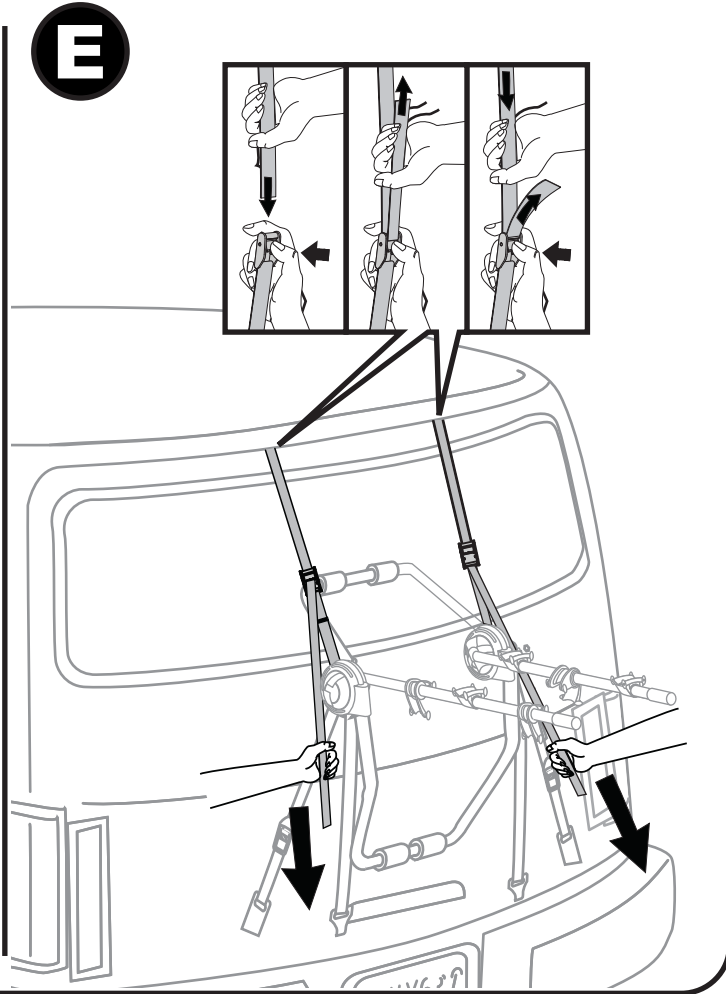
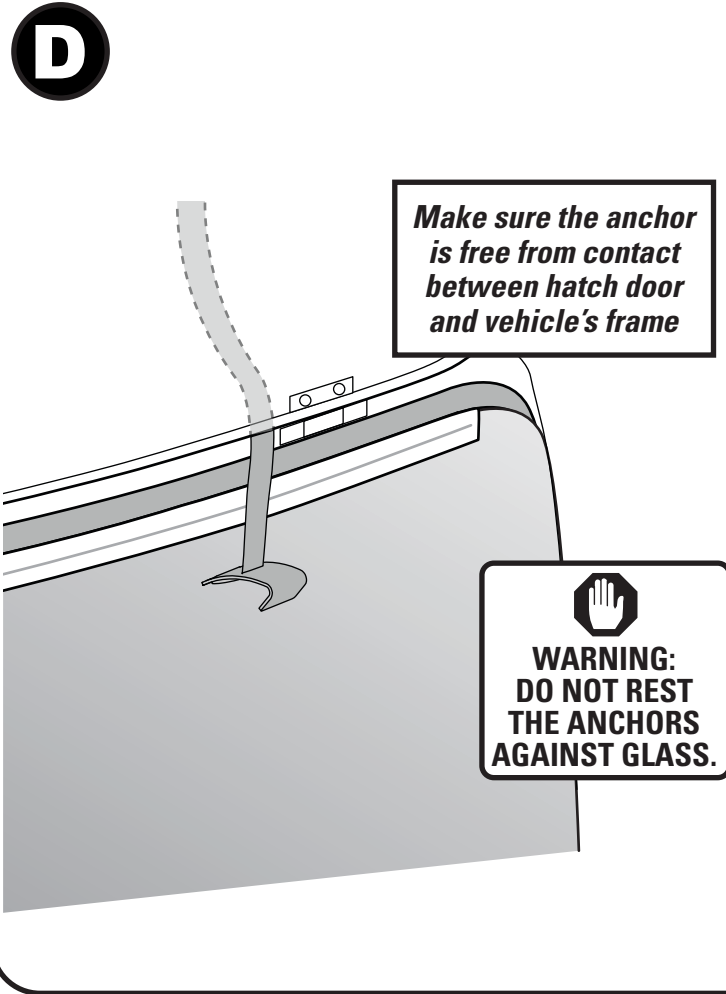
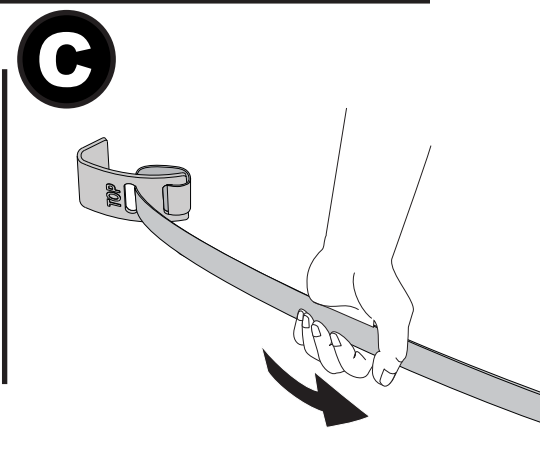
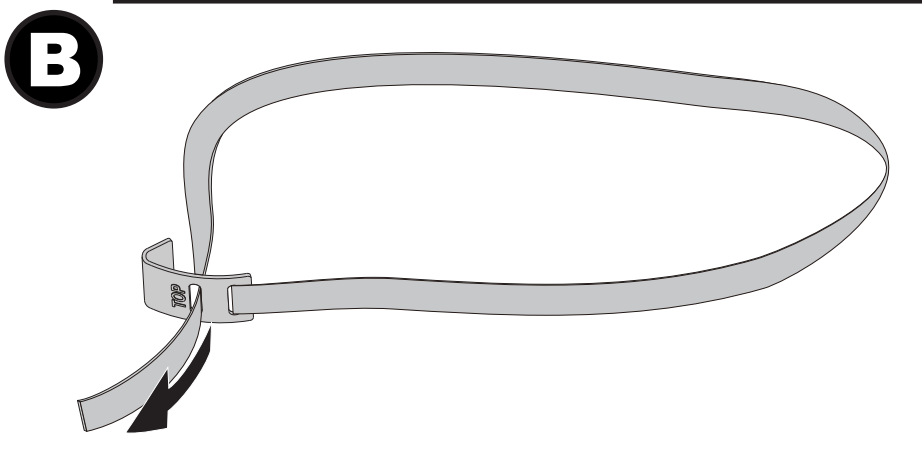
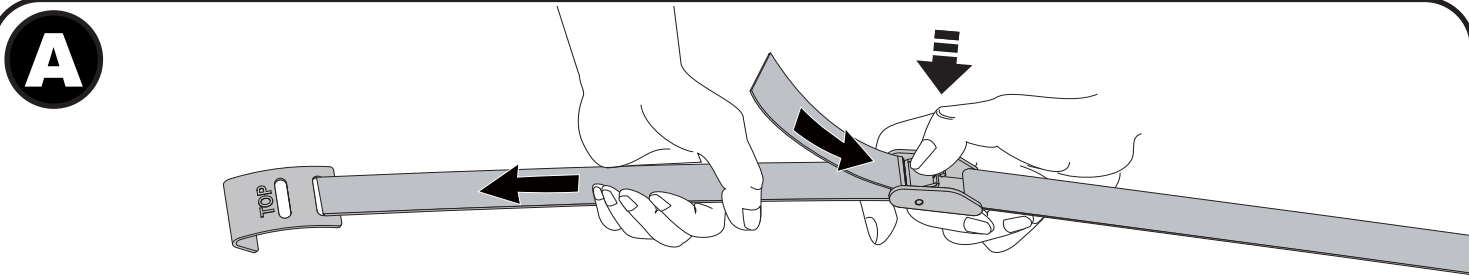
(If upper hooks must attach to glass or plastic, follow Anchor Strap installation on next page.)

NO GLASS OR PLASTIC? Continue to step 13.

TOP HOOKS: Anchor installation instructions



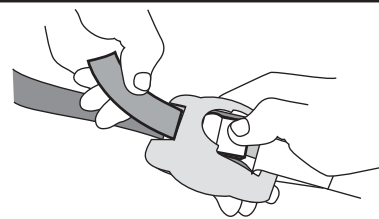
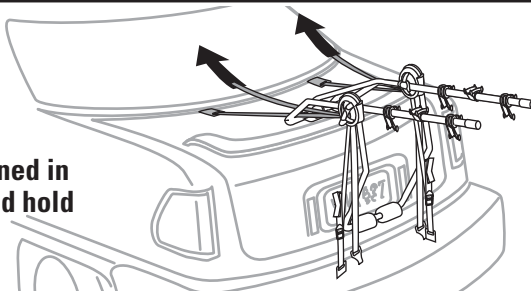
Confirmed your vehicle does not require Anchors? Skip this page.



IF NOT ATTACHING UPPER HOOKS TO GLASS OR PLASTIC, CONTINUE HERE.

13 ADJUST UPPER STRAPS.

Position the frame as determined in step 6. The upper straps should hold the carrier in place.

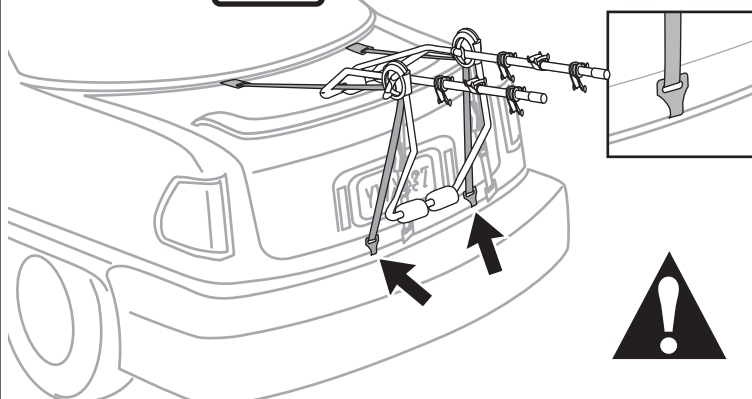


Adjust upper straps by pulling on the ends. (Loosen by pressing the metal buckles.)

14 PLACE LOWER STRAP HOOKS.



Place where directed by fitlookup.yakima.com, or Fit Notes.



WARNING: DO NOT ATTACH THE LOWER HOOKS TO GLASS OR PLASTIC!

If lower hooks must attach to glass or plastic, follow Anchor Installation Instructions on the next page.



UNLISTED VEHICLES:

LOWER HOOKS

- The first choice is the bottom of the trunk/hatch.
- The second choice is under the bumper if there is a rigid, metal attachment point.
- The third choice is tie-down hooks underneath the vehicle or holes in the vehicle's frame.

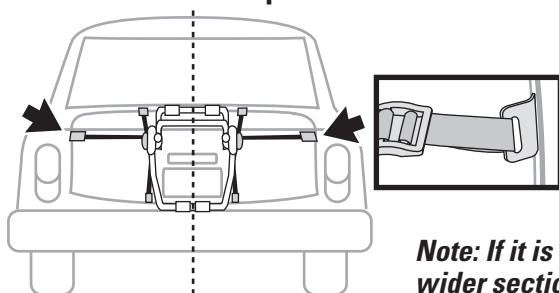
CAUTIONS:

- Keep straps away from hot vehicle exhaust!
- Keep straps from rubbing on sharp metal edges!
- Do not attach lower hooks to plastic bumpers.

15 CENTER THE CARRIER ON THE CAR, position the side strap hooks.



Position hooks at side mounting points directed by the Fit Sheet Notes.



UNLISTED VEHICLES:

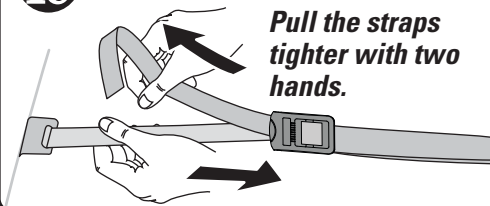
SIDE HOOKS

- Mount to the side of the trunk/hatch.
- Position the hooks so they will not slide up or down when tightened.

Note: If it is difficult to get the hook in, insert it at a wider section and then slide it into place.

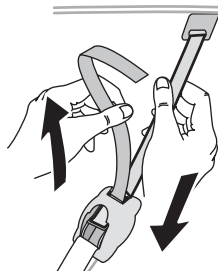
16 TIGHTEN SIDE STRAPS.

Pull the straps tighter with two hands.



17 TIGHTEN UPPER STRAPS.

Pull the straps tighter with two hands.



18

Bundle the extra strap ends into the band.



CONTINUE TO STEP 19

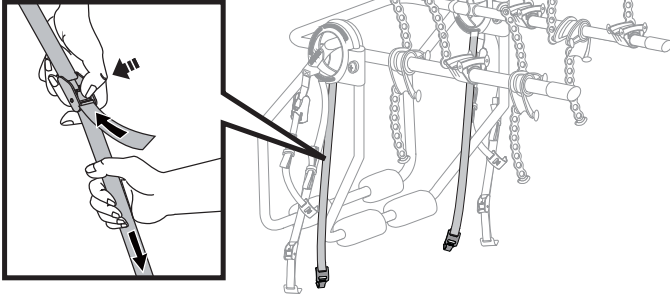


BOTTOM HOOKS: Anchor installation instructions

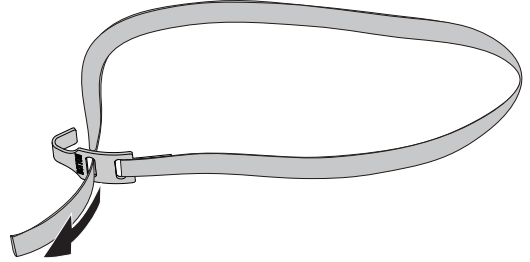
Confirmed your vehicle does not require Anchors? Skip this page.

A REMOVE THE CARRIER FROM THE CAR.

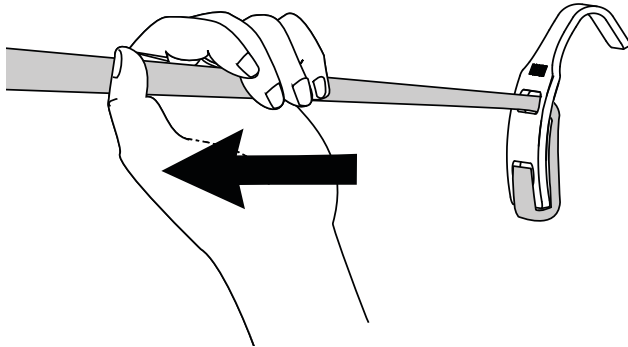
B



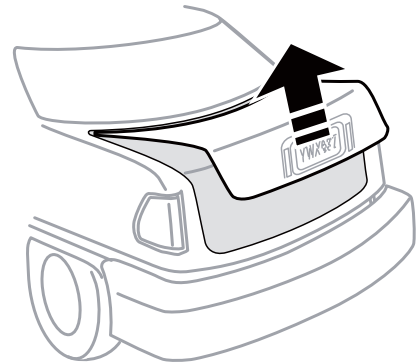
C



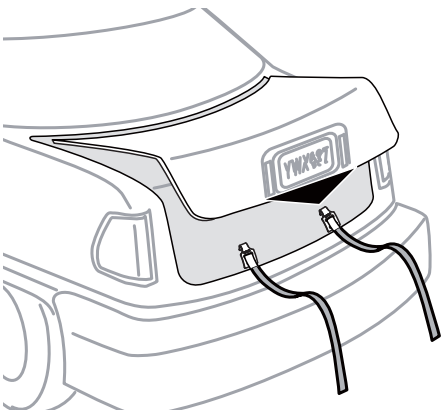
D



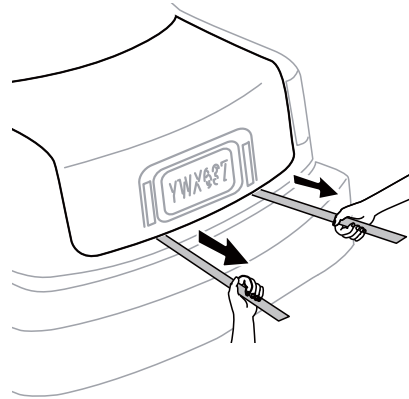
E



F

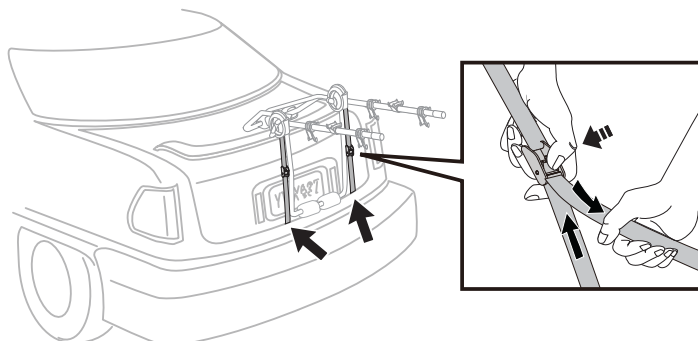


G



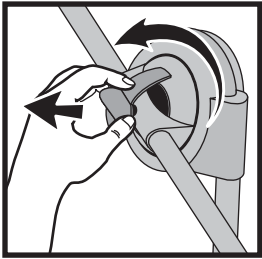
BEFORE CLOSING THE TRUNK:
Be sure the anchors are free from contact between trunk door and vehicle's frame.

H

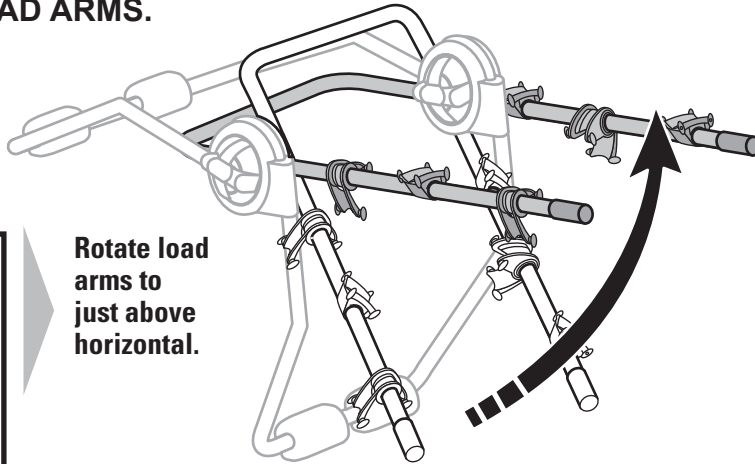


19 EXTEND LOAD ARMS.

On the inner hubs, pull and turn the red triggers.

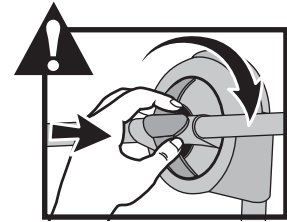


Rotate load arms to just above horizontal.



REPLACE RED TRIGGERS.

- Make sure that both triggers are seated in the hub!
- Move both arms up and down, they must snap into place!



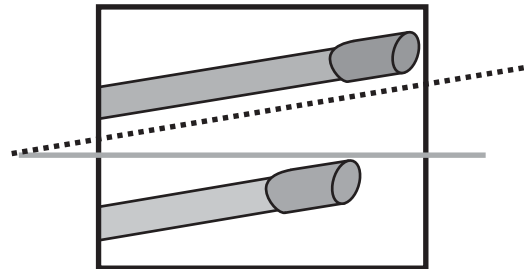
If the arms do not snap into place, adjust triggers and move arms until the arms are in place.



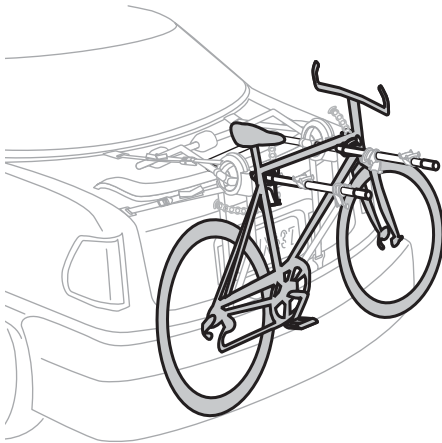
UNLISTED VEHICLES: LOAD ARMS

CAUTIONS:

- Adjust load arms to just above horizontal.
- Make sure bikes have sufficient clearance from the ground.

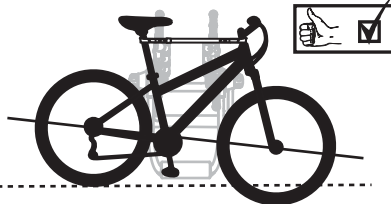
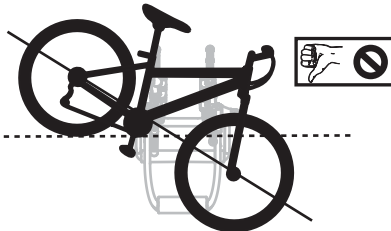


20 LOAD HEAVIEST BIKE FIRST



Always load first bike with chain away from vehicle.
Always use the cradles closest to the vehicle.

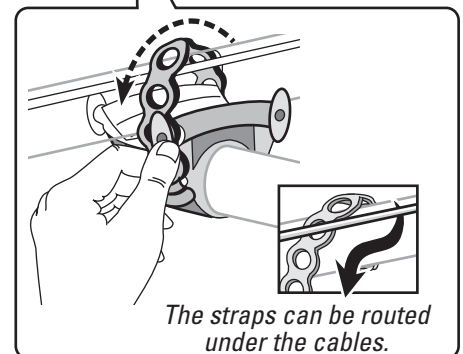
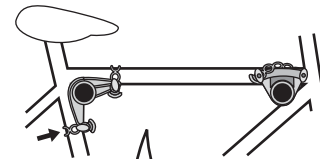
A Yakima TubeTop (see cover page) may be *required* to carry your bike safely.



Failure to load bikes properly can result in property damage, personal injury, or death.

Bikes should be as level as possible to avoid ground clearance issues and possible ejections.

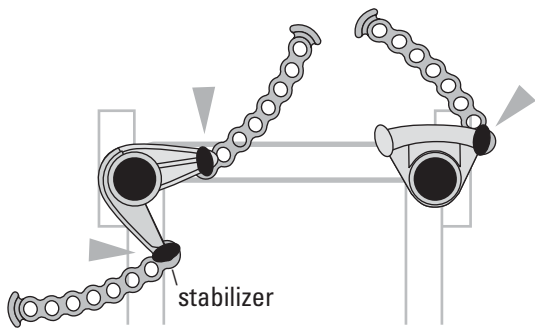
Stabilize the bike frame in the cradle.



The straps can be routed under the cables.

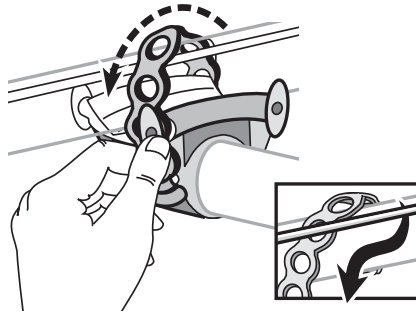
- Arrange bikes for best stabilization.
- Pull straps tightly over bike frame, and hook onto cradle

21 Each bike requires 3 chain straps.



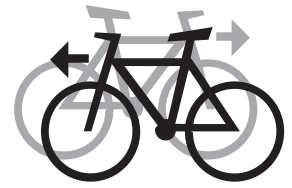
To slide cradles along the carrier arms, close cradle and stabilizer. Close cradles while loading bikes.

Tightly secure straps diagonally over bike frame and seat tube.



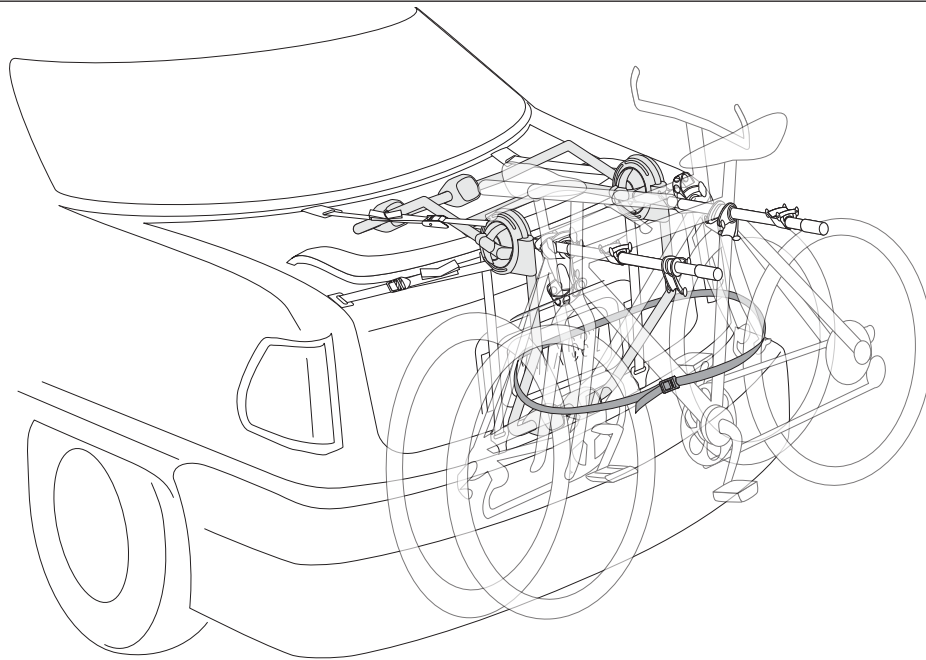
The straps can be routed under the cables.

LOAD REMAINING BIKES.



Alternate bike directions to avoid interference.

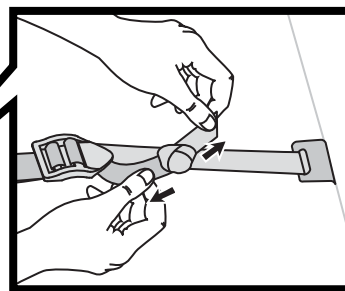
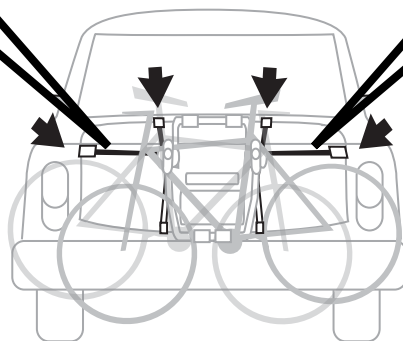
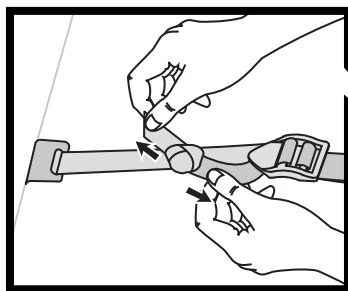
22



Secure Bikes

Use the included safety strap to secure your bikes to the carrier. Route the strap through each wheel, around the carrier. Feed the strap through the buckle, tighten it down, and secure the loose end.

23 TIGHTEN UPPER AND SIDE STRAPS AGAIN AFTER BIKES ARE LOADED.



The weight of the bikes may cause the straps to slack or dislodge hooks.

24

BEFORE DRIVING AWAY WITH YOUR BIKES: READ ALL WARNINGS ON NEXT PAGE.



READ THESE WARNINGS...

LOAD LIMITS

- HangOut 2 Maximum weight load is: 60 lbs./27kg (2 bike limit).
- HangOut 3: Maximum weight load is: 90 lbs./41kg (3 bike limit).
- 30 lbs. per bike.
- Do not carry tandem or recumbent bicycles.
- Remove any bike attachments.



WARNING

- **YOU MUST TIGHTEN STRAPS AFTER LOADING BIKES.**
- **BIKES MUST BE SECURED TO THE CARRIER FRAME USING THE SAFETY STRAP PROVIDED.**
- **CHECK STRAP TENSION PERIODICALLY DURING TRAVEL.**
- **STRAPS LOOSEN OVER TIME. CHECK BEFORE EACH USE, TIGHTEN IF NECESSARY.**
- **FAILURE TO CHECK AND TIGHTEN STRAPS CAN RESULT IN PROPERTY DAMAGE, PERSONAL INJURY, OR DEATH.**

THE DRIVE

- Never open trunk/hatch with carrier installed. Opening the hatch or trunk with carrier installed could cause damage to the vehicle.
- Never drive off-road with bicycles loaded.
- Do not let bicycle tires or straps hang near vehicle's hot exhaust.
- Do not install onto trailers, campers, or RVs.
- Replace any of the straps that appear worn or frayed (contact your dealer, or Yakima customer service).

READ THE INSTALLATION CAUTIONS THAT APPLY TO YOUR CAR...

Rear Window Wiper

- Wiper may not be usable while carrier is installed. Do not allow wiper to contact any part of this carrier, at any time.

Vehicles with a Spoiler

- If any part of the carrier contacts the spoiler, do not use this product.

Spoiler Gap

- SUV's, vans, and wagons with a gap between the rear spoiler and rear window or hatch must route upper straps under the spoiler when possible. Do not allow straps to contact spoiler.

Glass/Plastic Hatches

- If upper or lower hooks must attach to glass or plastic, follow instructions to use the Anchor Strap (included).

Convertibles

- Do not allow the upper frame of the carrier to rest on car convertible top.
- Do not raise or lower top while carrier is installed.

Tight Seams

- On some vehicles the trunk/hatch seams may be too tight to easily insert hooks. Slide hooks from outside edge of trunk/hatch to

appropriate location. If still too tight, open trunk/hatch, insert hooks, and close very carefully to avoid damage.

- Make sure trunk/hatch is securely closed before continuing installation.

Soft Attachment Points

- Excessive tightening of the straps may cause damage to softer body materials.



WARNING Although your carrier is covered by a warranty (see below), Yakima cannot warranty any installation onto any vehicle that is not listed at fitlookup.yakima.com, or the the Yakima Fit List.

MAINTENANCE

- No lubrication is required.
- Do not immerse in water.
- Remove the carrier before entering an automatic car wash.

TECHNICAL ASSISTANCE OR REPLACEMENT PARTS:

Contact your dealer or call
(888) 925-4621

Monday through Friday
7:00 am to 5:00 pm PST



This product is covered by YAKIMA's "Love It Till You Leave It" Limited Lifetime Warranty
To obtain a copy of this warranty, go online to www.yakima.com
or email us at yakwarranty@yakima.com or call (888) 925-4621

KEEP THESE INSTRUCTIONS!