

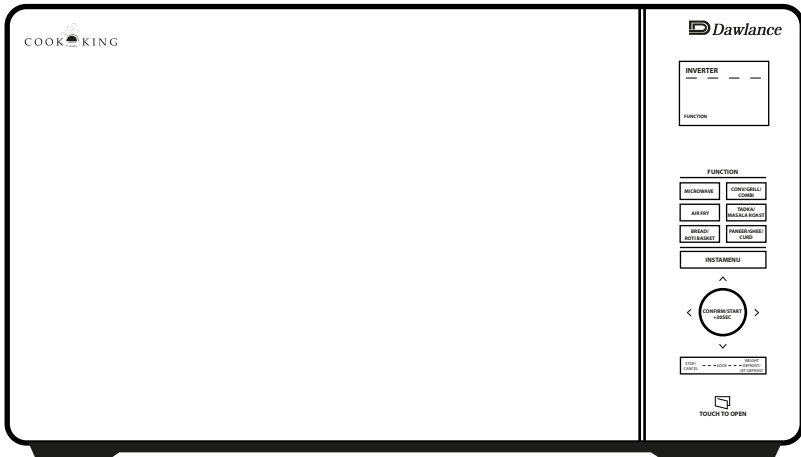


Before using your Microwave Oven, please read this manual carefully and keep it for future reference.

Microwave Oven

User Manual

MODEL: DW 560 INV



Read This Manual

Inside, you will find many helpful hints on how to use and maintain your Microwave Oven properly. Just a little preventive care on your part can save you a great deal of time and money over the life of your Microwave Oven.

PRECAUTIONS TO AVOID POSSIBLE EXPOSURE TO EXCESSIVE MICROWAVE ENERGY

- (a) Do not attempt to operate this oven with the door open since this can result in harmful exposure to microwave energy. It is important not to break or tamper with the safety interlocks.
- (b) Do not place any object between the oven front face and the door or allow soil or cleaner residue to accumulate on sealing surfaces.
- (c) **WARNING:** If the door or door seals are damaged, the oven must not be operated until it has been repaired by a competent person.

ADDENDUM

If the apparatus is not maintained in a good state of cleanliness, its surface could be degraded and affect the life span of the apparatus and lead to a dangerous situation.

SPECIFICATIONS

Model Number	DW 560 INV
Power Consumption	230V~/50Hz, 1550W (Microwave)
	1100W (Grill)
	2500W (Convection)
Rated Microwave Output	1000W
Product Dimensions	510 mm x 310 mm x 460 mm
Oven Capacity	28L
Net Weight	Approx. 15.03 Kg

IMPORTANT SAFETY INSTRUCTIONS

READ CAREFULLY AND KEEP FOR FUTURE USE

Important Safety Instructions

The safety instructions mentioned below will tell you how to use your microwave oven without harming yourself and damaging your oven.

Warning – To reduce the risk of burns, electric shock, fire, injury to persons, or exposure to excessive microwave energy

- Read all the instructions before using your oven.
- Do not allow children to use this oven without close supervision.

Precautions to avoid possible exposure to excessive microwave energy:

- a) Do not attempt to operate this oven with the door open since open door operation can result in harmful exposure to microwave energy. It is important not to tamper with the safety interlocks.
- b) Do not place any object between the microwave oven cavity and the door or allow soil or cleaner residue to accumulate on sealing surfaces.
- c) Do not operate the oven if it is damaged. It is particularly important that the oven door closes properly and that there are no damages to the:
 - i. Door (bent);
 - ii. Hinges and latches (broken or loosened);
 - iii. Door seals and sealing surfaces.
- d) It is hazardous for anyone other than properly qualified competent service personnel to repair, adjust or remove the cover which gives protection against exposure to microwave energy.

1. **Do not heat the following items in the microwave oven:** Whole eggs in the shell, water with oil or fat, sealed containers, and closed glass jars.

These items may explode.

- Do not cover or block any openings in the oven;
- Use your oven only for the operations described in this manual;
- Do not run the oven empty, without food in it;
- Do not deep fry in your microwave oven;
- Do not remove the turntable while using the microwave oven;

- Do not make popcorn, peanuts and suji roast in plastic utensil: use only microwaveable glass utensil.
2. Only use utensils suitable for use in microwave oven.
 3. Remove wire twist-ties and metal handles from paper or plastic containers/bags before placing them in the oven.
 4. The oven should be cleaned regularly and any food deposits should be removed. Failure to maintain the oven in a clean condition could lead to deterioration of the surface, and could adversely affect the life of the appliance and possibly result in a hazardous situation.
 5. When the appliance is operated in the combination mode, children should only use the oven under adult supervision due to the temperatures generated.
 6. To avoid a fire hazard do not severely overcook food. Severely overcooked foods can start a fire in the oven.
 7. When heating food in plastic or paper containers, keep an eye on the oven due to the possibility of ignition.
 8. If smoke is observed, switch off or unplug the appliance and keep the door closed in order to stifle any flames.
 9. Do not use the cavity for storage purposes; do not leave paper products, cooking utensils, or food in the cavity when not in use.
 10. Do not use this oven for commercial purposes. This appliance is intended to be used in household and similar application such as:
 - Staff kitchen areas in shops, offices and other working environments;
 - Farm houses;
 - By clients in hotels, motels and other residential environments;
 - Bed and breakfast type environments.
 11. When cleaning the door and the surfaces that touch the door, use only mild, non-abrasive soaps or detergents and a sponge or soft cloth.
 12. Do not use corrosive chemicals or vapours, in this appliance. This type of oven is specifically designed to heat, cook, or dry food. It is not designed for industrial or laboratory use.

13. Do not use or store this appliance outdoors. Do not use this product near water, for example near a kitchen sink, in a wet basement, or near a swimming pool, and the likes.
14. Do not tamper with the built-in safety switches on the oven door. The oven has several built-in safety switches to make sure the power is off when the door is open.
15. If the supply cord is damaged, it must be replaced by the manufacturer, its service agent or similarly qualified persons in order to avoid a hazard.
16. If your oven is dropped or damaged, have it thoroughly checked by a qualified service technician before using it again.
17. The temperature of accessible surfaces may be high when the appliance is operating. Keep cord away from heated surface, and do not cover the oven.
18. Do not immerse the electrical cord or plug in water.
19. Pierce food with heavy skin such as potatoes, whole squashes, apples, tomatoes, brinjals, mutton, chicken before cooking.
20. Cooking utensils may become hot because of heat transferred from heated food. Potholders may be needed to handle the utensils. Utensils should be checked to ensure that they are suitable for use in microwave ovens.
21. The microwave oven shall not be placed in a cabinet.
22. Liquids, such as water, coffee, or tea can be overheated beyond the boiling point without appearing to be boiling. Visible bubbling or boiling when the container is removed from the microwave oven is not always present. **THIS COULD RESULT IN VERY HOT LIQUIDS SUDDENLY BOILING OVER WHEN THE CONTAINER IS DISTURBED OR A SPOON OR OTHER UTENSIL IS INSERTED INTO THE LIQUID.**
23. To reduce the risk of injury to persons:
 - Do not overheat the liquid;
 - Stir the liquid both before and halfway through heating it;
 - While cooking or reheating in microwave mode, ensure the vent of the lid is kept open at all times or the lid is partially open;
 - After heating, allow the container to stand in the microwave oven for a short time before removing the container;
 - Use extreme care when inserting a spoon or other utensil into the container;
24. The contents of feeding bottles and baby food jars shall be stirred or shaken and the temperature checked before consumption, in order to avoid burns.
25. The appliance is not intended for use by persons (including children) with reduced physical, sensory or mental capabilities, or lack of experience and knowledge, unless they have been given supervision or instruction concerning use of the appliance by a person responsible for their safety.
26. The rear surface of the appliance shall be placed against the wall.
27. Microwave oven is intended for heating food and beverages. Drying of food or clothing and heating of warming pads, slippers, sponges, damp cloth and similar may lead to risk of injury, ignition or fire.
28. Microwave heating of beverages can result in delayed eruptive boiling, therefore care must be taken when handling the container.
29. Details for cleaning door seals, cavities and adjacent parts are given on the page **CLEANING AND CARE**.
30. No temperature sensing probe to be inserted into food placed inside the cavity of this oven by user, during switched ON state. A temperature probe may be placed on the food once the food is taken outside the oven.
31. The microwave is intended to be used freestanding.

CLEANING

Be sure to unplug the appliance from the power supply.

1. Clean the cavity of the oven after using with a slightly damp cloth.
2. Clean the accessories in the usual way in soapy water.
3. The door frame, seal and neighbouring parts must be cleaned carefully with a damp cloth when they are dirty.
4. Do not use harsh abrasive cleaners or sharp metal scrapers to clean the oven door glass since they can scratch the surface, which may result in shattering of the glass.
5. **Cleaning Tip---****For easier cleaning of the cavity walls that the food cooked can touch:** Place half a lemon in a bowl, add 300ml (1/2 pint) water and heat on 100% microwave power for 10 minutes. Wipe the oven clean using a soft, dry cloth.

UTENSILS

CAUTION

Personal Injury Hazard: It is hazardous for anyone other than a competent person to carry out any service or repair operation that involves the removal of a cover which gives protection against exposure to microwave energy.

See the instructions on "Materials you can use in microwave oven or to be avoided in microwave oven." There may be certain non-metallic utensils that are not safe to use for microwaving. If in doubt, you can test the utensil in question following the procedure below.

Utensil Test:

1. Fill a microwave-safe container with 1 cup of cold water (250ml) along with the utensil in question.
2. Cook on maximum power for 1 minute.
3. Carefully feel the utensil. If the empty utensil is warm, do not use it for microwave cooking.
4. Do not exceed 1 minute cooking time.

Materials you can use in microwave oven

Utensils	Remarks
Browning dish	Follow manufacturer's instructions. The bottom of browning dish must be at least 3/16 inch (5mm) above the turntable. Incorrect usage may cause the turntable to break.
Dinnerware	Microwave-safe only. Follow manufacturer's instructions. Do not use cracked or chipped dishes.
Glass jars	Always remove lid. Use only to heat food until just warm. Most glass jars are not heat-resistant and may break.
Glassware	Heat-resistant oven glassware only. Make sure there is no metallic trim. Do not use cracked or chipped dishes.
Oven cooking bags	Follow manufacturer's instructions. Do not close with metal tie. Make slits to allow steam to escape.
Paper plates and cups	Use for short-term cooking/warming only. Do not leave oven unattended while cooking.
Paper towels	Use to cover food for reheating and absorbing fat. Use with supervision for a short-term cooking only.
Parchment paper	Use as a cover to prevent splattering or a wrap for steaming.
Plastic	Microwave-safe only. Follow the manufacturer's instructions. Should be labelled "Microwave Safe". Some plastic containers soften, as the food inside gets hot. "Boiling bags" and tightly closed plastic bags should be slit, pierced or vented as directed by package.
Plastic wrap	Microwave-safe only. Use to cover food during cooking to retain moisture. Do not allow plastic wrap to touch food.
Thermometers	Microwave-safe only (meat and candy thermometers).
Wax paper	Use as a cover to prevent splattering and retain moisture.

Materials to be avoided in microwave oven

Utensils	Remarks
Aluminum tray	May cause arcing. Transfer food into microwave-safe dish.
Food carton with metal handle	May cause arcing. Transfer food into microwave-safe dish.
Metal or metal-trimmed utensils	Metal shields the food from microwave energy. Metal trim may cause arcing.
Metal twist ties	May cause arcing and could cause a fire in the oven.
Paper bags	May cause a fire in the oven.
Plastic foam	Plastic foam may melt or contaminate the liquid inside when exposed to high temperature.
Wood	Wood will dry out when used in the microwave oven and may split or crack.

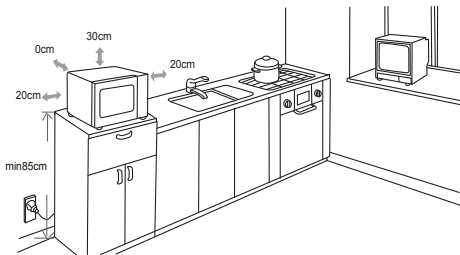
Countertop Installation

Remove all packing material and accessories. Examine the oven for any damage such as dents or broken door. Do not install if oven is damaged.

Cabinet: Remove any protective film found on the microwave oven cabinet surface. Do not remove the light brown Mica cover that is attached to the oven cavity to protect the magnetron.

Installation

1. Select a level surface that provides enough open space for the intake and/or outlet vents.



2. Plug your oven into a standard household outlet. Be sure the voltage and the frequency is the same as the voltage and the frequency on the rating label.

WARNING: Do not install oven over a range cooktop or other heat-producing appliance. If installed near or over a heat source, the oven could be damaged and the warranty would be void.

The accessible surface may be hot during operation.



- (1) The minimum installation height is 85cm.
- (2) The rear surface of appliance shall be placed against a wall. Leave a minimum clearance of 30cm above the oven, a minimum clearance of 20cm is required between the oven and any adjacent walls.

- (3) Do not remove the legs from the bottom of the oven.
- (4) Blocking the intake and/ or outlet openings can damage the oven.
- (5) Place the oven as far away from radio and TV as possible. Operation of microwave oven may cause interference to your radio or TV reception.

Dawlance Instructions

This appliance must be grounded. This oven is equipped with a cord having a grounding wire with a grounding plug. It must be plugged into a wall receptacle that is properly installed and grounded. In the event of an electrical short circuit, grounding reduces risk of electric shock by providing an escape wire for the electric current. It is recommended that a separate circuit serving only the oven be provided. Using a high voltage is dangerous and may result in a fire or other accident causing oven damage.

WARNING: Improper use of the grounding plug can result in a risk of electric shock.

Note:

- 1) If you have any questions about the grounding or electrical instructions, consult a qualified electrician or service person.
- 2) Neither the manufacturer nor the dealer can accept any liability for damage to the oven or personal injury resulting from failure to observe the electrical connection procedures.

The wires in this mains cable are colored in accordance with the following code:
Green and/or Yellow = EARTH, Blue and/or Black = NEUTRAL, Brown and/or Red = LIVE

ELECTRICAL REQUIREMENTS

The oven is designed to operate on a standard 230V/50Hz household outlet. Be sure the circuit is at least 15A or 20A and the

microwave oven is the **only appliance on the circuit.**

RADIO INTERFERENCE

Operation of the microwave oven can cause interference to your radio, TV, or similar equipment.

When there is interference, it may be reduced or eliminated by taking the following measures:

1. Clean door and sealing surface of the oven.
2. Reorient the receiving antenna of radio or television.
3. Relocate the microwave oven with respect to the receiver.
4. Move the microwave oven away from the receiver.
5. Plug the microwave oven into a different outlet so that microwave oven and receiver are on different branch circuits.

EXTENSION CORD INFORMATION

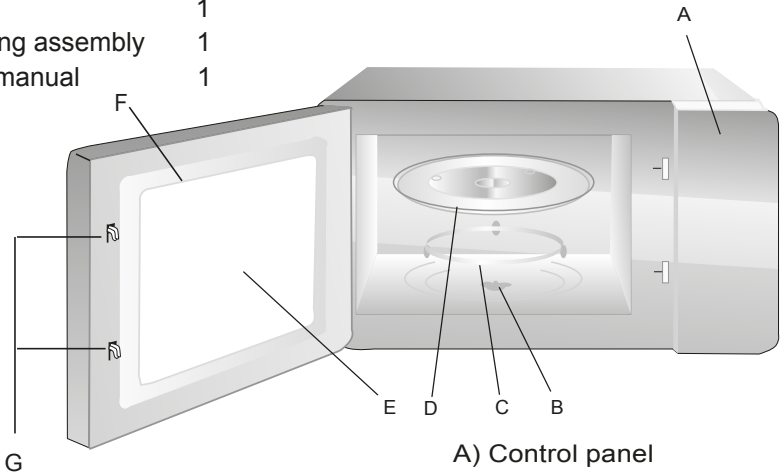
1. A short power supply cord is provided to reduce the risks resulting from becoming entangled in or tripping over a longer cord.
2. Do not use an extension cord.

Setting up Your Oven

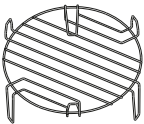
Names of Oven Parts and Accessories

Remove the oven and all materials from the carton and oven cavity. Your oven comes with the following accessories:

- Glass tray 1
- Turntable ring assembly 1
- Instruction manual 1

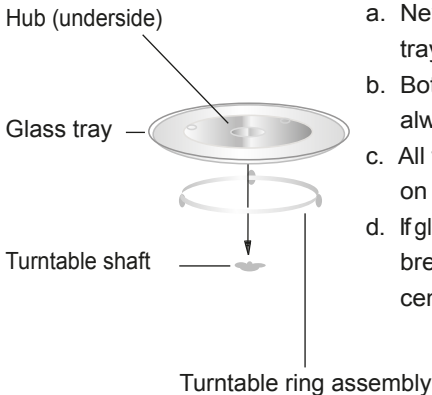


- A) Control panel
- B) Turntable shaft
- C) Turntable ring assembly
- D) Glass tray
- E) Observation window
- F) Door assembly
- G) Safety interlock system



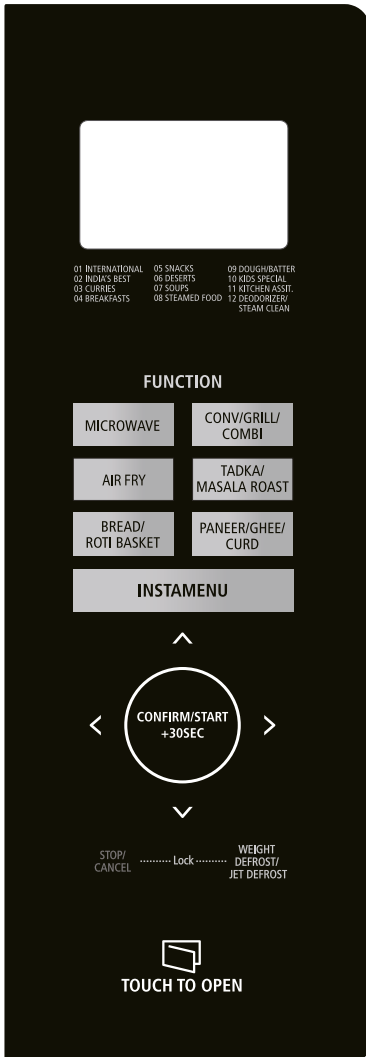
Grill Rack (cannot be used in microwave function and must be placed on the glass tray)

Turntable Installation



- a. Never place the glass tray upside down. The glass tray should never be restricted.
- b. Both glass tray and turntable ring assembly must always be used during cooking.
- c. All food and containers of food are always placed on the glass tray for cooking.
- d. If glass tray or turntable ring assembly cracks or breaks, contact your nearest authorized service center.

Control Panel



DISPLAY MENU

Used to indicate cooking time etc.

AUTO COOK MENUS

International, Asia's Best, Curries, Breakfasts, Snacks, Desserts, Soups, Steamed Food, Dough Batter, Kids Special, Kitchen Assistant, Deodorizer/Steam Clean, Air Fry, Tadka/Masala Roast, Bread/Roti Basket, and Paneer/Ghee/Curd.

MICROWAVE

Press to select microwave cooking power level.

CONV/GRILL/COMBI

Press to program convection cooking. Press to program grill cooking. Press to select one of the four combination cooking settings.

WEIGHT DEFROST/JET DEFROST

Press to select weight defrost i.e. defrost by weight.

Press to select jet defrost i.e. defrost by time.

CONFIRM/START

Press to start cooking program. Touch to start the oven quickly at full power.

STOP/CANCEL

Touch to stop cooking program or cancel all previous settings before cooking starts.

Operation Instructions

ARROW INSTRUCTIONS DURING DIFFERENT OPERATIONS

WHILE SELECTING TIME

- Up and down arrow will increase and decrease time respectively by 1 minute.
- Right and left arrow will increase and decrease time respectively by 10 seconds.

WHILE SELECTING WEIGHT

- Right and left arrow will increase and decrease the weight respectively.

WHILE SELECTING TEMPERATURE

- Up and down arrow will increase and decrease the temperature respectively.

WHILE SELECTING SUBMENU RECIPES

- Up and down arrow will increase and decrease the recipe number respectively in steps of 10.
- Right and left arrow will increase and decrease the temperature respectively in steps of 1.

SELECTION OF MICROWAVE MODE

- Press the **Microwave** option several times to select the desired power levels.
- Press **Confirm/Start** to confirm desired level.
- Use arrow keys to set the cooking time and press **Confirm/Start** to start the operation.

No. of Press	1	2	3	4	5	6	7	8	9	10
Display	P-HI	P-90	P-80	P-70	P-60	P-50	P-40	P-30	P-20	P-10
Output Power	100%	90%	80%	70%	60%	50%	40%	30%	20%	10%

CONVECTION PREHEAT

- Press the **Conv/Grill/Combi** option once to select the convection preheat mode .
- Use arrows to select the desired temp and press **Confirm /Start** to confirm the temperature.
- Press **Confirm /Start** again to start the operation.

Set Temperature	150	160	170	180	190	200	210	220	230	240
Display	C150	C160	C170	C180	C190	C200	C210	C220	C230	C240

Multi-stage Cooking

- Your oven can be programmed for up to 3 automatic cooking sequences.
- Suppose you want to set the following cooking program.
- Sequence **Microwave – Grill – Micro+Grill Combo 1**.
- Enter the desired microwave cooking program. DO NOT TOUCH **CONFIRM/START**.
- Enter the desired grill program. DO NOT TOUCH **CONFIRM/START**.
- Enter the **Micro+Grill Combo 1** program.
- Press **Confirm/Start** to start the operation.

CHILDPROOF LOCK

- The **Childproof Lock**: Prevents unsupervised operation by little children.
- To set the **Childproof Lock**: In waiting for the state, press the **STOP/CANCEL** button for 3 seconds, then a beep will sound and the indicator light will turn on.
- In the lock state, all buttons are disabled.
- To cancel the **Childproof Lock**: Press **STOP/CANCEL** button for three seconds, then beep will sound and the indicator light will turn off.

Selection of Auto Cook Menus

- International, Asia's Best, Curries, Breakfasts, Snacks, Desserts, Soups, Steamed Food, Dough Batter, Kids Special, Kitchen Assistant, Deodorizer/Steam Clean, Air Fry, Tadka/Masala Roast, Bread/Roti Basket, & Paneer/Ghee/Curd and other Instacook Menus
- Press any Auto Cook Menu
- Use arrows to select the submenu recipe number and press **Confirm/Start** to confirm.
- Use arrows again to select the weight and press **Confirm/Start** the operation.

Please note: If the operation is of 2 or 3 steps, the user is requested to open and close the door. Further, press **Confirm/Start** to continue the operation.

Auto Cook Menu	No. of Recipes
Air Fry	9
Bread/Roti Basket	17
Tadka/Masala Roast	14
Paneer/Ghee/Curd	4
International	56
Asia's Best	87
Curries	25
Breakfasts	14
Snacks	28
Desserts	15
Soups	7
Steamed Food	7
Dough/Batter	7
Kids Special	6
Kitchen Assistant	6
Deodorizer, Steam Clean	2

Troubleshooting

Normal	
Microwave oven interfering with radio and TV reception	Radio and TV reception may be interfered when microwave oven is operating. It is similar to the interference of small electrical appliances, like mixer, vacuum cleaner, and electric fan. It is normal.
Dim oven light	In low power microwave cooking, oven light may become dim. It is normal.
Steam accumulating on door, hot air out of vents	In cooking, steam may come out of food. Most will get out from vents. But some may accumulate on cool place like oven door. It is normal.
Oven started accidentally with no food in	It is forbidden to run the unit without any food inside. It is very dangerous.

Trouble	Possible Cause	Remedy
Oven cannot be started	(1) Power cord not plugged in tightly.	Unplug. Then plug in again after 10 seconds.
	(2) Fuse blowing or circuit breaker works.	Replace fuse or reset circuit breaker (repaired by professional personnel of our company).
	(3) Trouble with outlet.	Test outlet with other electrical appliances.
Oven does not heat	(4) Door not closed well.	Close door well.



**The widest service center network in the country with
more than 200 outlets**



**Dawlance Reliable service is available for all
household products
Services at your doorstep within 24 hours
Call Center Services available
all week 24/7**

Service UAN # 021-111-11-7359 (RELY)

Head Office: Dawlance Center 7/4, Civil Lines-9

Dr. Ziauddin Ahmed Road, Karachi.

Ph: (021) 35652450-9

E-mail: customer.service@dawlance.com.pk

Website: www.dawlance.com.pk

ڈاؤلینس ریلیئبل ہے!

 *Dawlance*
ریلائبیل ہے!